



Model Name MW824ST Digital Projector

Unique selling point Trade Mark

- * MHL Compatible
- * 0.52 Short Throw Ratio
- * Blu-ray Full HD 3D support
- * SmartEco Power Saving Technology
- * PointWrite Interactive Solution Compatible
- * Crestron eControl, RoomView, PJ Link & AMX LAN Control



Projection System	DLP	
Native Resolution	WXGA(1280X800)	
Brightness	3200 ANSI Lumens	
Contrast Ratio	13000:1	
Display Color	1.07 Billion Colors	
Lens	F= 2.8, f = 7.51mm	
Aspect Ratio	Native 16:10 (5 aspect ratio selectable)	
Throw Ratio	0.52 (95" @ 1m)	
Image Size (Diagonal)	Optimization 72"~152", Maximum 300"	
Zoom Ratio	Fixed	
Lamp Type	210W	
Lamp Mode (Normal / Economic / SmartEco / LampSave / LumenCare)	4000 hours /5000 hours /6500 hours /10000 hours / 2100 hours constant brightness	
Keystone Adjustment	ID, Vertical +/- 30 degrees	
Projection Offset	110%±5%	
Resolution Support	VGA(640 x 480) to UXGA(1600 x 1200)	
Horizontal Frequency	15~102KHz	
Vertical Scan Rate	23~120Hz	
Compatibility	HDTV Compatibility	480i, 480p, 576i, 576p, 720p, 1080i, 1080p
	Video Compatibility	NTSC, PAL, SECAM
	3D Compatibility	Frame Sequential: Up to 720p
	(Please refer to User's Manual for detailed support timing.)	Frame Packing: Up to 1080p
		Side by Side: Up to 1080i/p
		Top Bottom: Up to 1080p
Interface	Computer in (D-sub 15pin)	x 2 (Share with component)
	Monitor out (D-sub 15pin)	x 1
	Composite Video in (RCA)	x 1
	S-Video in (Mini DIN 4pin)	x 1
	HDMI	x 1 (Share with MHL 1.2)
	Audio in (Mini Jack)	x 2
	Audio out (Mini Jack)	x 1
	Audio L/R in (RCA)	x 1
	Speaker	x 1 (10W)
	USB (Type Mini B)	x 1
	RS232 (DB-9pin)	x 1
	LAN (RJ45)	x 1
Dimensions	Dimensions(W x H x D)	287.3 x 114.4 x 232.6mm (with feet) 287.3 x 100.3 x 232.6mm (without feet)
	Weight	2.6kg(5.73bs)
Power	Power Supply	AC100 to 240 V, 50 to 60 Hz
	Power Consumption	Normal 270W, Eco 220W, Standby <0.5W
Audible Noise	32/28 dBA (Normal/Economic mode)	
On-Screen Display Languages	Arabic/Bulgarian/ Croatian/ Czech/ Danish/ Dutch/ English/ Finnish/ French/ German/ Greek/ Hindi/ Hungarian/ Italian/ Indonesian/ Japanese/ Korean/ Norwegian/ Polish/ Portuguese/ Romanian/ Russian/ Simplified Chinese/Spanish/ Swedish/ Turkish/ Thai/ Traditional Chinese (28 Languages)	
Picture Modes	Dynamic/Presentation/sRGB/Cinema/(3D)/User 1/User 2	
Accessories	Standard	Optional
	Lens Cover	PointWrite
	Remote Control w/ Battery	Spare Lamp Kit
	Power Cord (by region)	Ceiling Mount
	User Manual CD	Wall Mount
	Quick Start Guide	Carry bag
	Warranty Card (by region)	3D Glasses
	VGA(D-sub 15pin) Cable	
	VGA(D-sub 15pin) Cable	

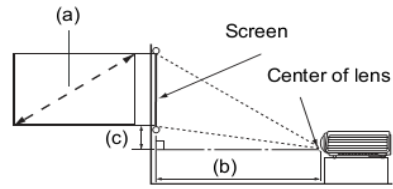
*Lamp life results will vary depending on environmental

MW824ST Digital Projector

Distance Chart

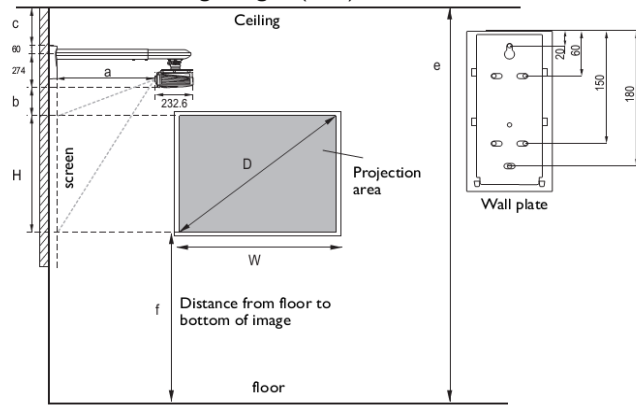
The screen aspect ratio is 16:10 and the projected picture is in a 16:10 aspect ratio

(a) Screen size				(b) Distance from screen (mm)	(c) Vertical offset (mm)
Diagonal	Height	Width	Diagonal		
Inches	mm	(mm)	(mm)		
40	1016	538	862	448	40.4
50	1270	673	1077	560	50.5
60	1524	808	1292	672	60.6
70	1778	942	1508	784	70.7
80	2032	1077	1723	896	80.8
90	2286	1212	1939	1008	90.9
100	2540	1346	2154	1120	101.0
110	2794	1481	2369	1232	111.1
120	3048	1615	2585	1344	121.2
130	3302	1750	2800	1456	131.3
140	3556	1885	3015	1568	141.4
150	3810	2019	3231	1680	151.4
160	4064	2154	3446	1792	161.5
170	4318	2289	3662	1904	171.6

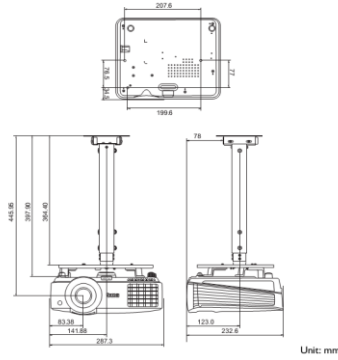


Wall mount/Ceiling mount Chart

Minimum Ceiling Height (mm) = $f + H + b + 60 + 274 + c$ Ceiling mount installation



Ceiling Mount screw: M4
(Max L = 25 mm; Min L = 20 mm)



Dimension

